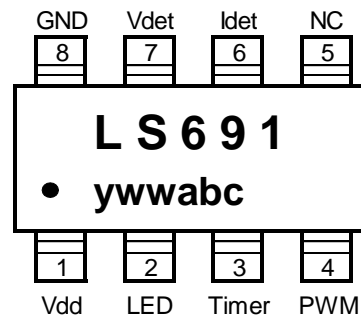


■ Features

- ◆ Build-in high accuracy A/D convertor for detecting charge full conditions of  $-\Delta V$ , or  $0\Delta V$ .
- ◆ Noise filter logic design for reducing PCB's noise to meet high accuracy data collection.
- ◆ For 1 or multi cells NiMH battery charge application.
- ◆ Battery alive function for waking-up long time no use battery, which battery voltage is so low as no battery.
- ◆ Charge current is settable (by external Resistor); and Pre/ Fast current are automatically adjusted for different battery voltage level.
- ◆ Charge full detecting,  $-\Delta V$ ,  $0\Delta V$ .
- ◆ Charge time out protect.
- ◆ Charge status indication by dual color LED for Power on/ Charge/ Full/ Defect.
- ◆ Re-start charge process for battery voltage drop by self-discharged.
- ◆ Working voltage: 5.0V.
- ◆ Marking: LS691  
ymabcdef  
yww: year / week.  
abc: Wafer tracking code.
- ◆ Package: SOP-8 (150 mil)



■ Pin Assignment

Pin No.	Name	I/O	Description
1	Vdd	P	Power Input (5.0V)
2	LED	O	LED charge status output
3	Timer	I	Charge time out select input
4	PWM	O	Charge loop switching control output
5	NC	-	No connect
6	Idet	I	Charge current setting/detect input
7	Vdet	I	Battery voltage detect input
8	GND	P	Ground